

SPEED QUEEN® ON-PREMISES LAUNDRY SOLUTIONS

Stack Premium Tumble Dryer

STT30

30 lb (14 kg)

Premium Tumble Dryers

Our line of stack tumble dryers provides double the capacity of Speed Queen® single pocket tumble dryers while using only half the floor space. Plus, our patented oval cylinder perforations solve a common, highly damaging problem, by allowing stray screws to pass through without doing large amounts of damage to the dryer's sweep sheets.

- Large easy-to-clean lint compartment.
- Fewer moving parts mean fewer maintenance problems and less wear.
- High-performance heater box increases energy efficiency, reduces drying times and provides a more comfortable operating environment.

- Axial airflow pattern with the sealed cylinder rims delivers the fastest and most efficient drying results.
- Two drying pockets in the space of one unit helps increase drying capacity.
- Single gas, electric and exhaust hookups simplify installation and are less expensive than installing twice the number of single units.



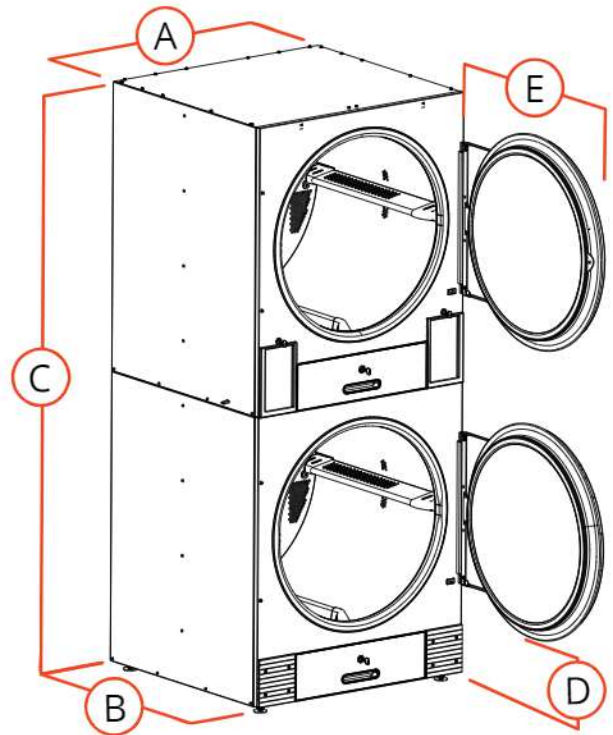
Quantum® Gold

Revolutionary Quantum® Gold technology combines equipment controls, programming and wireless networking into one complete OPL management system, giving you total control over your laundry room from any computer, anywhere in the world. Advanced diagnostics and audit data reports help you catch errors before they become bigger issues. Quantum Gold is designed to help you reduce costs, decrease your downtime and increase your throughput.

Stack Premium Tumble Dryer

Specifications

		STT30	
Control Option		Quantum Gold	
Capacity - lb (kg)		30 (13) x 2	
Overall Width - in (mm)		31.5 (800)	
Overall Depth - in (mm)		42.8 (1090)	
Overall Height - in (mm)		76.3 (1940)	
Cylinder Diameter - in (mm)		30.0 (762)	
Cylinder Depth - in (mm)		26.0 (660)	
Cylinder Volume - cu. ft (liters)		10.6 (300)	
Reversing Cylinder		Option	
Door Opening Size - in (mm)		22.6 (574)	
Heat Input Power	Gas Models - Per Pocket	73,000 x 2 Btu/hr	
	Steam Models - Per Pocket	85,442 x 2 Btu/hr	
	Electric Models	21 x 2 kW	
Gas Connections - in (npt)		0.5	
Plumbing Connections - Steam - in (npt)		0.75	
Air Outlet - in (mm)		1 x 8 (200) Oval	
Motor - HP	Fan	0.5	
	Cylinder	0.3	
Airflow - cfm		2 x 400	
Electrical Specs - amps	Gas & Steam		
	B	100-120V/50/60/1	16
	X	200-240V/50/60/1/3	9
	N	440-480V/50/60/3	6
	P	380-415V/50/60/3	6
	Electric		
	F	200-208V/50/60/3	61 x 2
	G	230-240V/50/60/3	52 x 2
	H	380V/50/60/3	33 x 2
	J	400-415V/50/60/3	30 x 2
	K	440V/50/60/3	29 x 2
L	460-480V/50/60/3	27 x 2	
Shipping Dimensions Approx.- in (mm)	Width	32.5 (826)	
	Depth	47.0 (1194)	
	Height	79.9 (2029)	
Net Weight - lb (kg)	Gas	570 (260)	
	Steam	610 (275)	
	Electric	660 (300)	
Shipping Weight - lb (kg)	Gas	600 (270)	
	Steam	640 (290)	
	Electric	690 (313)	
Agency Approvals		CSA	



A.	Overall Width - in (mm)	31.5 (800)
B.	Overall Depth - in (mm)	42.8 (1090)
C.	Overall Height - in (mm)	76.3 (1940)
D.	Door Bottom to Floor - in (mm)	10.7 (272)
E.	Door Swing - in (mm)	28 (711)

Tumble dryer models are made to suit a variety of electrical service characteristics. See your Speed Queen distributor for specifications.

For further details on installation, refer to Installation, Operation and Maintenance instructions supplied with the tumble dryer. Amperage ratings available in Installation Manual.

For the most accurate information, the installation guide should be used for all design and construction purposes. Due to continuous product improvements, design and specifications subject to change without notice. The quality management systems at Alliance Laundry Systems are registered to ISO 9001.

SPEED QUEEN® ON-PREMISES LAUNDRY SOLUTIONS

Stack Premium Tumble Dryer

STT45

45 lb (20 kg)

Premium Tumble Dryers

Our line of stack tumble dryers provides double the capacity of Speed Queen® single pocket tumble dryers while using only half the floor space. Plus, our patented oval cylinder perforations solve a common, highly damaging problem, by allowing stray screws to pass through without doing large amounts of damage to the dryer's sweep sheets.

- Large easy-to-clean lint compartment.
- Fewer moving parts mean fewer maintenance problems and less wear.
- High-performance heater box increases energy efficiency, reduces drying times and provides a more comfortable operating environment.

- Axial airflow pattern with the sealed cylinder rims delivers the fastest and most efficient drying results.
- Two drying pockets in the space of one unit helps increase drying capacity.
- Single gas, electric and exhaust hookups simplify installation and are less expensive than installing twice the number of single units.



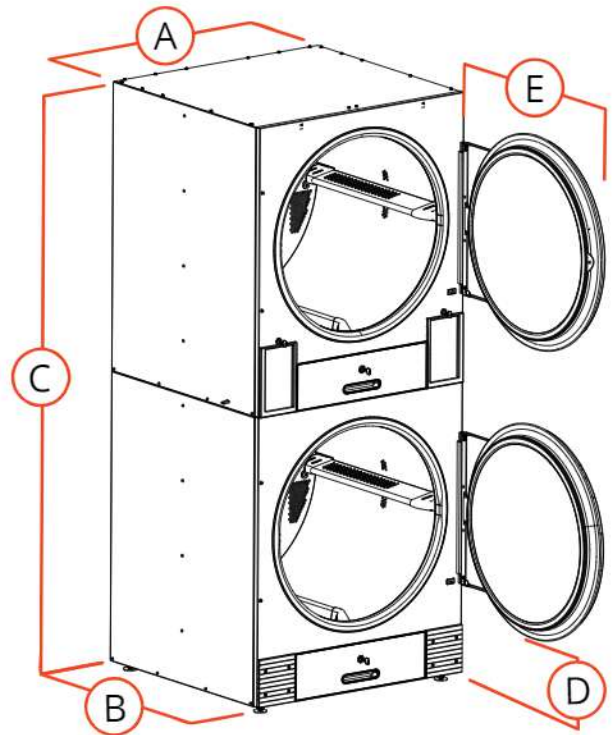
Quantum® Gold

Revolutionary Quantum® Gold technology combines equipment controls, programming and wireless networking into one complete OPL management system, giving you total control over your laundry room from any computer, anywhere in the world. Advanced diagnostics and audit data reports help you catch errors before they become bigger issues. Quantum Gold is designed to help you reduce costs, decrease your downtime and increase your throughput.

Stack Premium Tumble Dryer

Specifications

		STT45	
Control Option		Quantum Gold	
Capacity - lb (kg)		45 (20) x 2	
Overall Width - in (mm)		34.5 (875)	
Overall Depth - in (mm)		48.6 (1235)	
Overall Height - in (mm)		81.3 (2065)	
Cylinder Diameter - in (mm)		33.0 (838)	
Cylinder Depth - in (mm)		30.0 (762)	
Cylinder Volume - cu. ft (liters)		14.8 (420)	
Reversing Cylinder		Option	
Door Opening Size - in (mm)		26.9 (683)	
Heat Input Power Gas Models - Per Pocket		95,000 x 2 Btu/hr	
Gas Connections - in (npt)		0.5	
Air Outlet - in (mm)		1 x 10 (250) Oval	
Motor - HP		Fan 2 x 0.5 Cylinder 2 x 0.5	
Airflow - cfm		2 x 600 (283)	
Electrical Specs - amps	Gas		
	B	100-120V/50/60/1	20
	X	200-240V/50/60/1/3	12
	N	440-480V/50/60/3	6
	P	380-415V/50/60/3	6
Shipping Dimensions Approx.- in (mm)		Width	35.5 (902)
		Depth	54.0 (1372)
		Height	84.9 (2156)
Net Weight - lb (kg)		710 (320)	
Shipping Weight - lb (kg)		750 (340)	
Agency Approvals		CSA	



A.	Overall Width - in (mm)	34.5 (875)
B.	Overall Depth - in (mm)	48.6 (1235)
C.	Overall Height - in (mm)	81.3 (2065)
D.	Door Bottom to Floor - in (mm)	9.3 (236)
E.	Door Swing - in (mm)	31.9 (810)

Tumble dryer models are made to suit a variety of electrical service characteristics. See your Speed Queen distributor for specifications.

For further details on installation, refer to Installation, Operation and Maintenance instructions supplied with the tumble dryer. Amperage ratings available in Installation Manual.

For the most accurate information, the installation guide should be used for all design and construction purposes. Due to continuous product improvements, design and specifications subject to change without notice. The quality management systems at Alliance Laundry Systems are registered to ISO 9001.